






# CLADDING

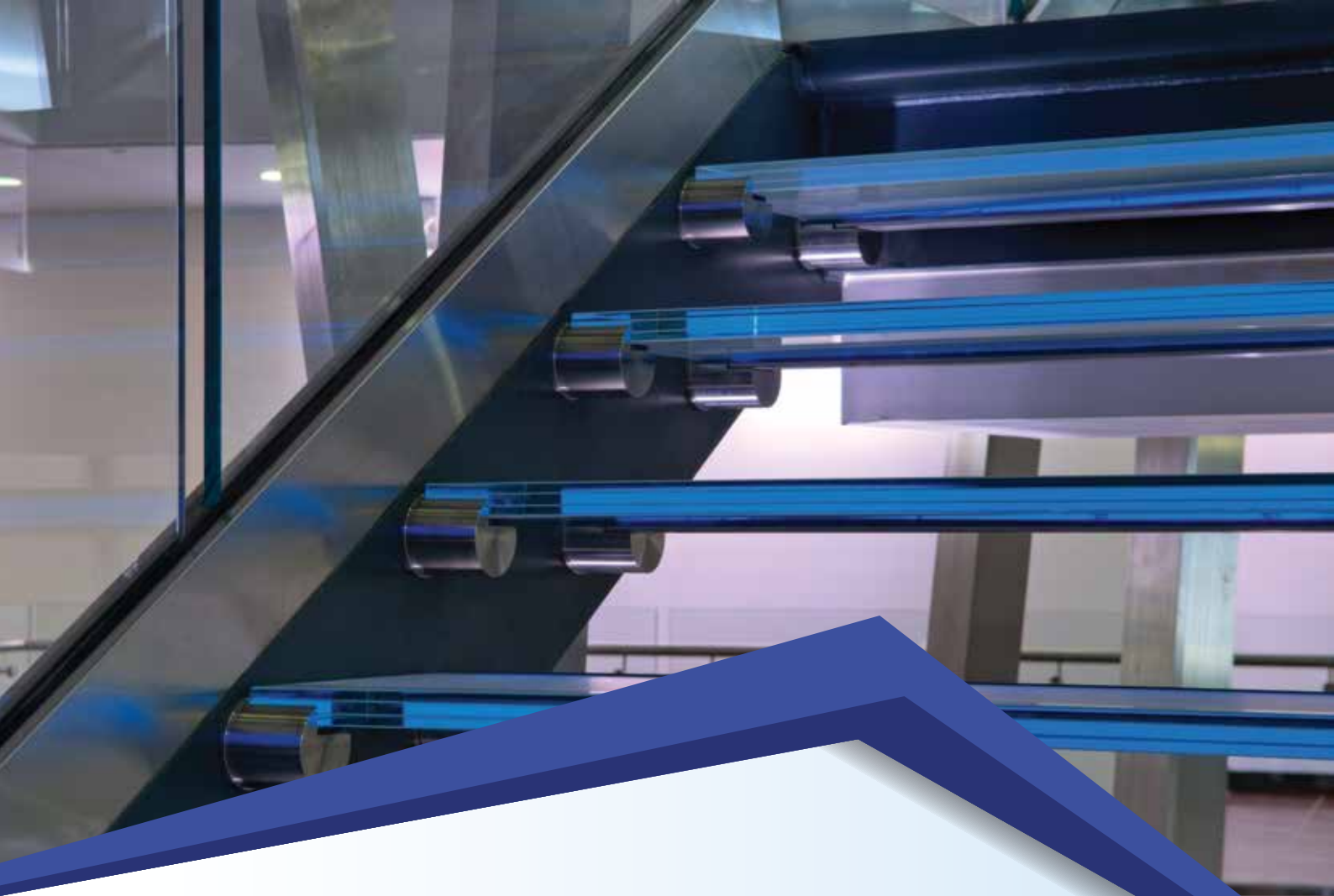
[www.emwstainless.com](http://www.emwstainless.com)

 #3, 3500 27 Street NE, T1Y 5E2

 403-452-3434

 403-452-3440

 [sales@emwstainless.com](mailto:sales@emwstainless.com)



## STAINLESS STEEL **CLADDING**

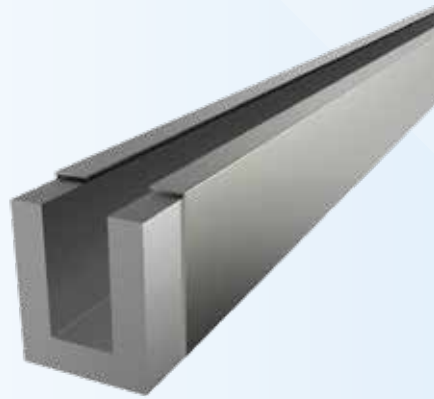
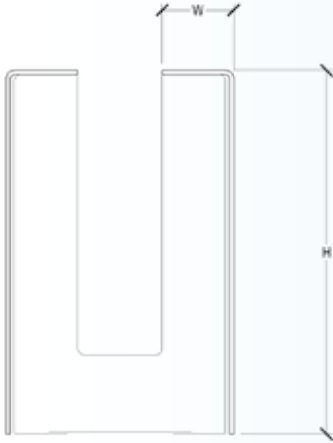
Stainless steel is the most popular material used for architectural wall cladding and is highly qualitative and sustainable solution to maintain the facade of a building throughout the years.

Stainless steel has a high durability, high strength and corrosion resistance. The metal panels will keep its appearance for several decades. Besides the fact that stainless steel cladding almost lasts a lifetime, the metal is very environment friendly.

We at EMW stainless offers varieties of claddings solutions. We offer claddings for base shoe at different sizes and lengths as well as custom claddings to suit any kind of application requirement. We offer cladding solutions to residential and commercial kitchen as well.

# STRAIGHT CLADDING

## FOR SQUARE BASE SHOE



### Features

- Cladding can be secured to the base shoe by applying Cladding tape or Silicon Sealant.
- Claddings sold as an individual pieces.
- Usually it require a pair of cladding to cover both sides of base shoe.

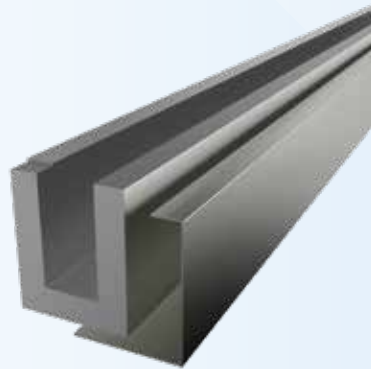
| Part Number | Width (W) | Height (H) | Length | Thickness | Material | Finish         |        |       |                 |
|-------------|-----------|------------|--------|-----------|----------|----------------|--------|-------|-----------------|
| BSCS62418B  | 7/8"      | 4-3/16"    | 120"   | 0.035"    | SS304    | Brushed Finish |        |       |                 |
| BSCS62425B  |           | 4-1/4"     |        |           |          |                |        |       |                 |
| BSCS62481B  |           | 4-13/16"   |        |           |          |                |        |       |                 |
| BSCS62488B  |           | 4-7/8"     |        |           |          |                |        |       |                 |
| BSCS68356B  | 11/16"    | 3-9/16"    |        |           |          |                |        |       |                 |
| BSCS62418P  | 7/8"      | 4-3/16"    |        |           |          | 120"           | 0.035" | SS304 | Polished Finish |
| BSCS62425P  |           | 4-1/4"     |        |           |          |                |        |       |                 |
| BSCS62481P  |           | 4-13/16"   |        |           |          |                |        |       |                 |
| BSCS62488P  |           | 4-7/8"     |        |           |          |                |        |       |                 |
| BSCS68356P  | 11/16"    | 3-9/16"    |        |           |          |                |        |       |                 |

\* Custom Sizes Available.



# FASCIA CLADDING

## FOR SQUARE BASE SHOE



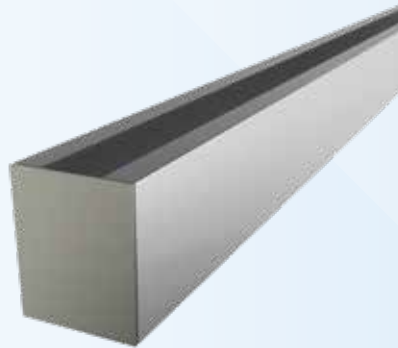
### Features

- Cladding can be secured to the base shoe by applying Cladding tape or Silicon Sealant.
- Claddings sold as an individual pieces.
- Usually it require a pair of cladding to cover both sides of base shoe.

| Part Number  | Width (W1) | Width (W2) | Height (H) | Length | Thickness | Material | Finish          |
|--------------|------------|------------|------------|--------|-----------|----------|-----------------|
| BSCF6241826B | 7/8"       | 2-5/8"     | 4-3/16"    | 120"   | 0.035"    | SS304    | Brushed Finish  |
| BSCF6242527B |            | 2-3/4"     |            |        |           |          |                 |
| BSCF6248130B |            | 3"         |            |        |           |          |                 |
| BSCF6248131B |            | 3-1/8"     | 4-13/16"   |        |           |          |                 |
| BSCF6248133B |            | 3-5/16"    |            |        |           |          |                 |
| BSCF6248135B |            | 3-1/2"     |            |        |           |          |                 |
| BSCF6241826P |            | 2-5/8"     | 4-3/16"    |        |           |          | Polished Finish |
| BSCF6242527P |            | 2-3/4"     |            |        |           |          |                 |
| BSCF6248130P |            | 3"         |            |        |           |          |                 |
| BSCF6248131P |            | 3-1/8"     | 4-13/16"   |        |           |          |                 |
| BSCF6248133P |            | 3-5/16"    |            |        |           |          |                 |
| BSCF6248135P |            | 3-1/2"     |            |        |           |          |                 |

# SQUARE END CAPS

## FOR BASE SHOE



### Features

- The End caps can be secured to the base shoe by using cladding tape or silicon sealant.
- End caps are sold separately.
- Custom sizes are also available.

| Part Number | Width (W) | Height (H) | Thickness | Material | Finish          |
|-------------|-----------|------------|-----------|----------|-----------------|
| BSEC425268B | 2- 11/16" |            |           |          |                 |
| BSEC425281B | 2- 13/16" | 4-1/4"     |           |          |                 |
| BSEC425293B | 2-15/16   |            |           |          |                 |
| BSEC425306B | 3-1/16    |            |           |          | Brushed Finish  |
| BSEC425325B | 3-1/4"    | 4-7/8"     |           |          |                 |
| BSEC425337B | 3-3/8"    |            | 0.035"    | SS304    |                 |
| BSEC425356B | 3-9/16"   |            |           |          |                 |
| BSEC425268P | 2- 11/16" |            |           |          |                 |
| BSEC425281P | 2- 13/16" | 4-1/4"     |           |          |                 |
| BSEC425293P | 2-15/16   |            |           |          |                 |
| BSEC425306P | 3-1/16    |            |           |          | Polished Finish |
| BSEC425325P | 3-1/4"    | 4-7/8"     |           |          |                 |
| BSEC425337P | 3-3/8"    |            |           |          |                 |
| BSEC425356P | 3-9/16"   |            |           |          |                 |



## LITERATURE DISCLAIMER

The information contained on the Literature is for general information only and is correct to the best of our knowledge at time of preparation.

The information provided is in form of recommendations only. Any advisory recommendations given in our publications must be modified to conform to local codes, conditions and specifications. Please consult a licensed engineer before installation to ensure your installation meets the local building codes.

We reserve all rights to amend any information published in our literature without additional notice. EMW Stainless cannot be held responsible or liable for the selection nor application of our products.



#3, 3500 27 Street NE, T1Y 5E2



403-452-3434

403-452-3440



[sales@emwstainless.com](mailto:sales@emwstainless.com)



[www.emwstainless.com](http://www.emwstainless.com)